

**BD-SW-3BC-09 Yamaha R1 2015 onwards, 3 button Up, Down and Mode for standard ECU and wiring systems.  
Type C for handlebar or clutch post or handlebar clamp mounting.**

This 3 button switch is designed for use on race/track bikes with the standard ECU where lights, turn signals and horn are not needed.

The aluminium assembly has been ergonomically designed for easy use and encompasses 3 momentary switches as described below with direct mounting onto an adjustable angled handlebar clamp.

The offset design moves the SET function uppermost to ensure clearance when using a thumb brake below the handlebars.

Use the two slotted M5 bolts to adjust left / right to best suit the rider.

No modification of the bike wiring is necessary, this kit plugs directly into the connectors of the standard loom and also provides wiring for the standard clutch switch.

Alternative version available with 4 buttons including the lap timer function.

Alternative version available with 5 buttons to suit the YEC kit ECU with pit speed limit and Map select.



**Mounting** - These 'Type C' switches mount directly onto our own generic bar clamp 'BR-G' or any aftermarket clutch post. All are fully adjustable left / right to suit the rider

**Clamps**

**BR-G** - Generic clamp as seen in the images above.

**CL-A** – To suit 32mm in-line clamp bolts

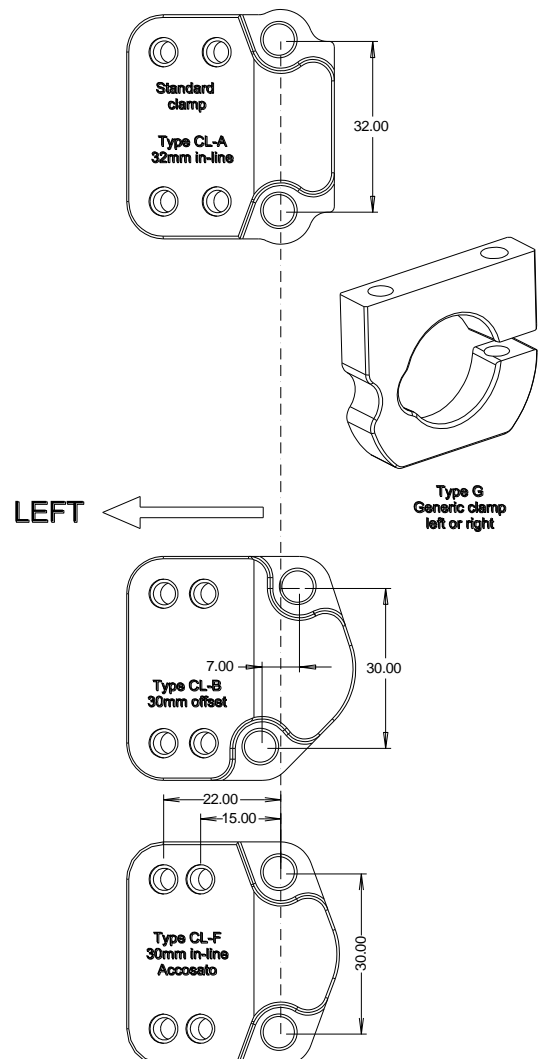
**CL-B** – To suit 30mm offset bolts

**CL-F** – To suit 30mm in-line bolts as found on Accosato clutch posts.

Specify alternative clamp at the time of ordering, as standard we will supply BR-G

These clamp designs use far less space on the handlebar than conventional switch bodies and are fully adjustable.

BR-G Generic clamp is angled for improved ergonomics.



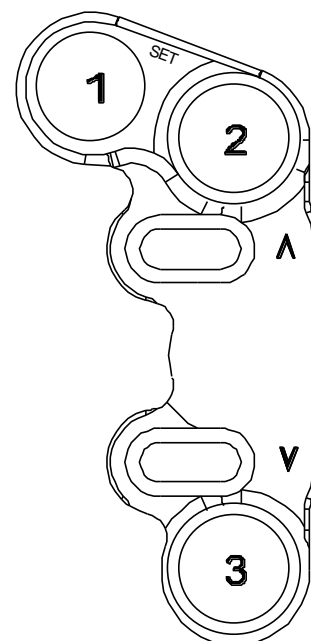
**Electrical connection**

No modification of the bike wiring is necessary, this kit plugs directly into the connectors of the standard loom.

**Note** – Clutch switch wiring is included

**Switch functions**

Colour	Text on switch	Function
Black	∧	Dash control mode function switch - up
White	Select / Mode / Set	Dash control Mode / Select – Set function
Black	∨	Dash control mode function switch - down



**Compatible right switch**

BD-SW-5BC-11  
 Stop-Run / Up / Select / Down / Start



**Electrical / Mechanical Characteristics**

Wire..... Type 55 / 24  
 Switch sealing..... IP67  
 Housing.....Aluminium

Coating.....Black anodise  
 Dia (handlebar) .....22mm (7/8")  
 Wiring..... Plug n play

**Ordering Information**

Part No.	Connector	Description
BD-SW-3BC-09-G	Plug n Play	3 way right handlebar switch – Yamaha R1 – 2015 onwards with generic clamp BR-G
BD-SW-3BC-09	n/a	Replacement switch pod, excluding clamp
BR-G	n/a	Generic clamp – replacement part
CL-F	n/a	Replacement 30mm in-line clamp for clutch - Accosato
CL-A	n/a	Replacement 32mm in-line clamp for clutch
CL-B	n/a	Replacement 30mm Offset clamp for clutch